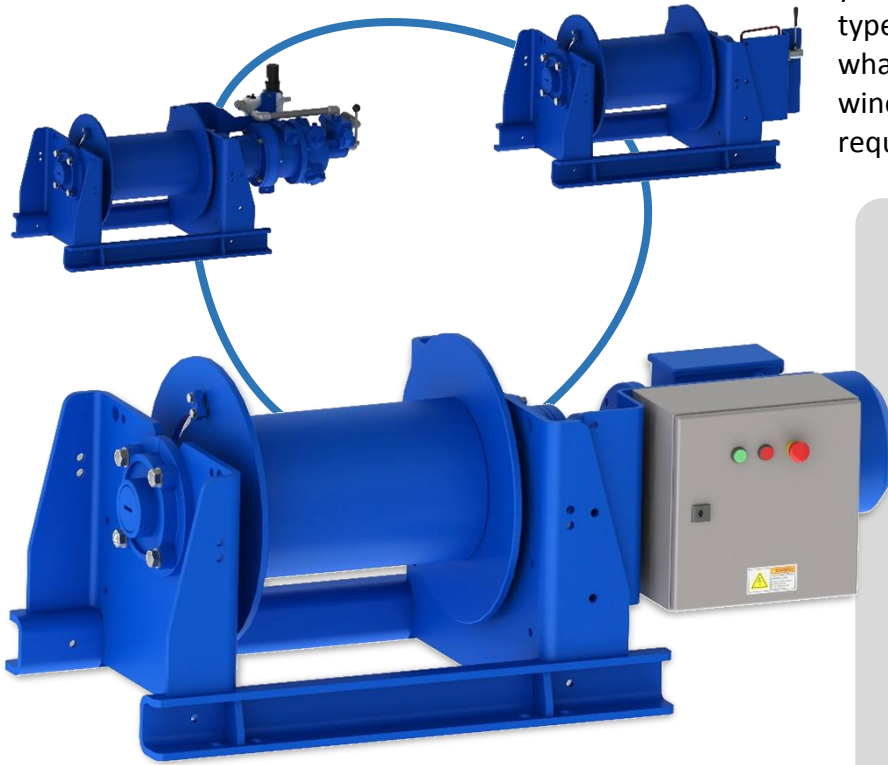


The series LM-EPI winches, a multifunctional winch, suitable for many applications



Standard build with electric, hydraulic or pneumatic drive, and high quality industrial planetary gearbox. Available in many varieties in pulling or lifting applications We are able to offer you many options as listed below. Below types are a small and general spectrum of what we can offer in these types of winches. Please inform us your requirement.

Standard features

- High quality industrial planetary gearbox
- Brake motor
- Voltage 400V 50Hz
- Protection IP55
- Oil filled
- 2-component paint system 150µm RAL 5002

Available options

- Drum guard (C €)
- Limit switch (C €)
- Pressure roller
- Protection IP56 / T.E.N.V. iron marine execution (Excluding controls)
- Atex motor
- Alternative voltages
- Various motor options
- Grooved drum
- Slack wire switch
- Wire rope
- Alternative dimensions / speeds
- Alternative pulling forces

Available controls

- D.O.L. Control Box IP65 with push buttons or pendant control with 5mtr cable acc. To NEN 1010
- Frequency inverter control with brake resistor
- Wireless radio remote control
- Proportional local or remote control valve

With the LM-EPI series, Lemans Nederland adds a powerful branch to its winch family suitable for a wide variety of applications.



Canadaweg 8 | 4661PZ Halsteren | The Netherlands
Phone: +31 (0)164-680097 | Fax: +31 (0)164-681971
e-mail: info@lemans-nederland.eu

www.lemans-nederland.nl

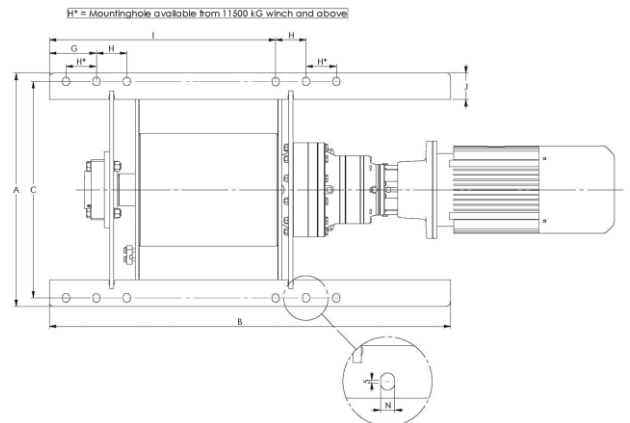
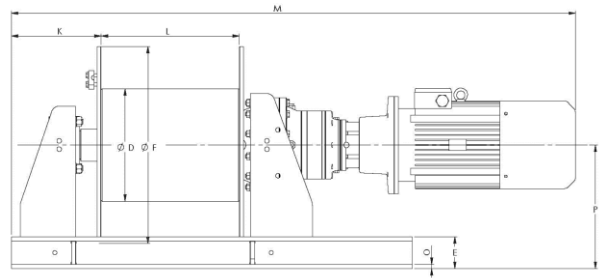
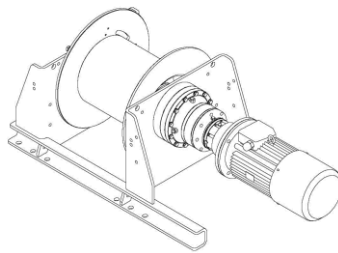
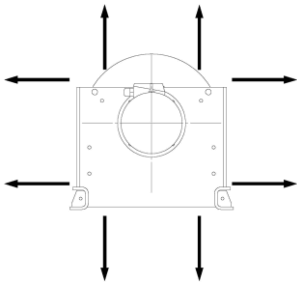
Technical specifications

The Series LM-EPI specifications

Winch type	W.L.L.		Lift	Speed		Recomm. rope diam.	Drum cap. 5 th layer	Power 400V S2	Weight
	1 st Layer	5 th Layer		1 st layer	5 th layer				
LM-EPI2370	2370 kg	1750 kg	1424 kg	6 mtr/min	8 mtr/min	Ø10 mm	211 mtr	2,5 kW	265 kg
LM-EPI 3400	3400 kg	2470 kg	2040 kg	6 mtr/min	8 mtr/min	Ø12 mm	198 mtr	3,5 kW	325 kg
LM-EPI 4660	4660 kg	3350 kg	2800 kg	6,5 mtr/min	9 mtr/min	Ø14 mm	192 mtr	5,5 kW	442 kg
LM-EPI 6100	6100 kg	4350 kg	3660 kg	6,5 mtr/min	9 mtr/min	Ø16 mm	189 mtr	7 kW	455 kg
LM-EPI 7660	7660 kg	5530 kg	4600 kg	6,5 mtr/min	9 mtr/min	Ø18 mm	194 mtr	9 kW	592 kg
LM-EPI 9500	9500 kg	6900 kg	5700 kg	7,5 mtr/min	10,5 mtr/min	Ø20 mm	198 mtr	13 kW	760 kg
LM-EPI 11500	-	-	-	-	-	-	-	-	-
LM-EPI 13660	-	-	-	-	-	-	-	-	-
LM-EPI 16000	-	-	-	-	-	-	-	-	-
LM-EPI 18600	-	-	-	-	-	-	-	-	-
LM-EPI 21300	-	-	-	-	-	-	-	-	-

The Series LM-EPI dimensions (mm)

Winch type	A	B	C	D	E	F	G	H	H*	I	J	K	L	M	N	O	P
LM-EPI2370	545	1010	458	219	110	370	110	80	-	726	85	225	500	1404	18	12	295
LM-EPI 3400	605	1010	545	244	110	430	110	80	-	726	85	225	500	1448	18	12	328
LM-EPI 4660	660	1010	600	273	110	485	108	85	-	723	85	226	500	1476	22	12	360
LM-EPI 6100	720	1060	660	305	115	545	133	85	-	763	85	259	500	1610	22	15	390
LM-EPI 7660	760	1350	700	355	115	625	170	110	-	817	95	320	500	1754	26	15	400
LM-EPI 9500	840	1450	780	406	115	710	170	110	-	817	95	325	500	2041	26	15	445
LM-EPI 11500	-	-	-	-	-	-	-	-	-	-	-	-	-	-	-	-	-
LM-EPI 13660	-	-	-	-	-	-	-	-	-	-	-	-	-	-	-	-	-
LM-EPI 16000	-	-	-	-	-	-	-	-	-	-	-	-	-	-	-	-	-
LM-EPI 18600	-	-	-	-	-	-	-	-	-	-	-	-	-	-	-	-	-
LM-EPI 21300	-	-	-	-	-	-	-	-	-	-	-	-	-	-	-	-	-



Canadweg 8 | 4661PZ Halsteren | The Netherlands
 Phone: +31 (0)164-680097 | Fax: +31 (0)164-681971
 e-mail: info@lemans-nederland.eu

www.lemans-nederland.nl