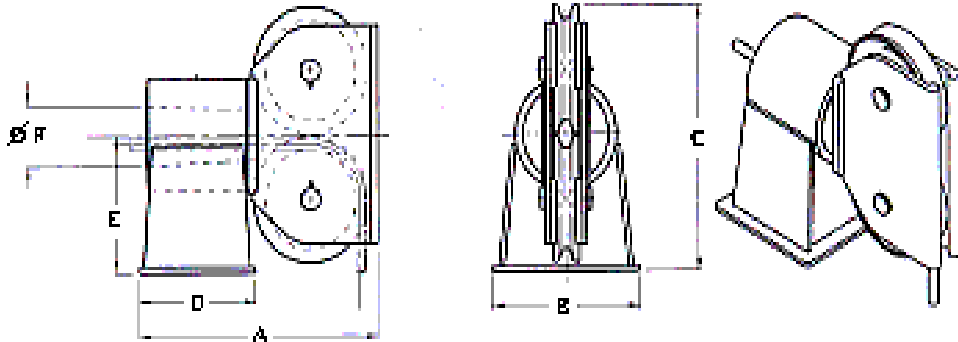


SMITH BERGER DECK MOUNTED DOUBLE SHEAVED FAIRLEADS



Model	Max wire size	Wire Breaking strength (Kn)	Sheave Tread dia	A	B	C	D	E	F	Weight (Kg)
MD-2610	19	262	210	627	406	559	375	279	114	127
MD-2612	25	460	248	741	489	635	451	343	143	236
MD-2614	32	711	286	802	508	737	470	394	160	318
MD-2618	38	1014	362	994	641	956	533	495	216	680
MC-2624	51	1530	508	1299	762	1260	686	648	305	1270
MD-2630	57	2198	632	1470	1022	1565	699	800	330	2270
MC-2636	64	2331	762	1626	1016	1845	699	921	368	2844
MD-2652	76	3639	1118	2642	1330	2683	1118	876	673	7801
MD-2665	76	3639	1410	2972	1330	3318	1118	876	673	8913

Dimensions in mm, alternations may occur.

Standard Features:

- Designed for breaking strength of wire with 90° wrap on sheave and +/- 90° rotation of swivelhead;
- Sealed grease lubricated Timken tapered roller bearings;
- Hardened rope grooves for longer life;
- Weld down base.

Optional Features:

- Tail Sheaves/Tail Rollers;
- Bolt down base;
- Load monitoring system;
- Special sheaves for high performance synthetic ropes;
- Paint to your specification;
- Third party certification.

